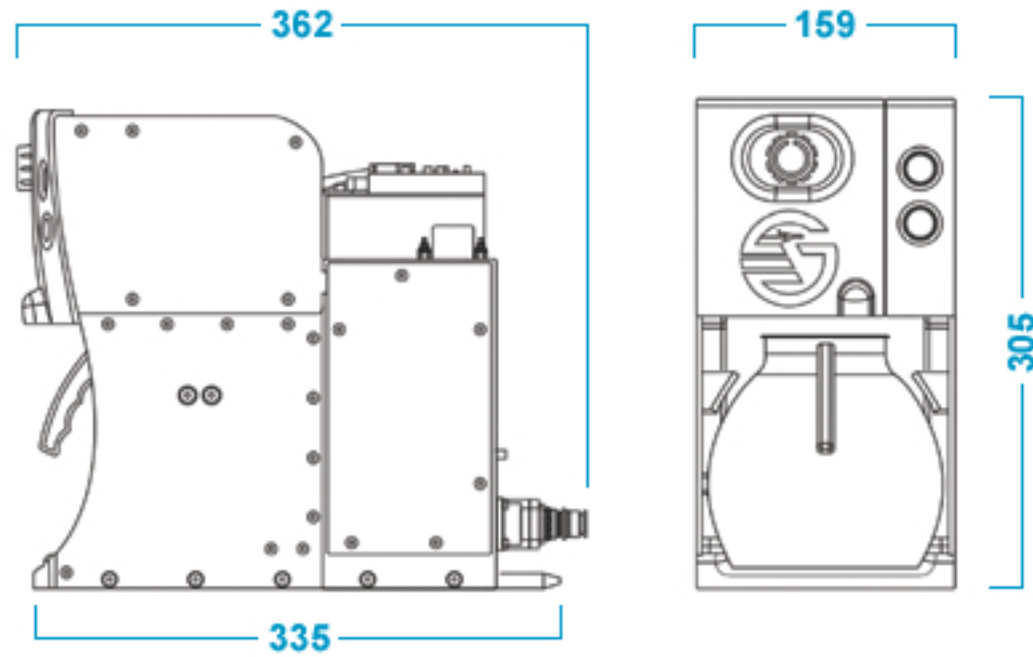




**EM  
Boiler Series**



**DIMENSIONS...**



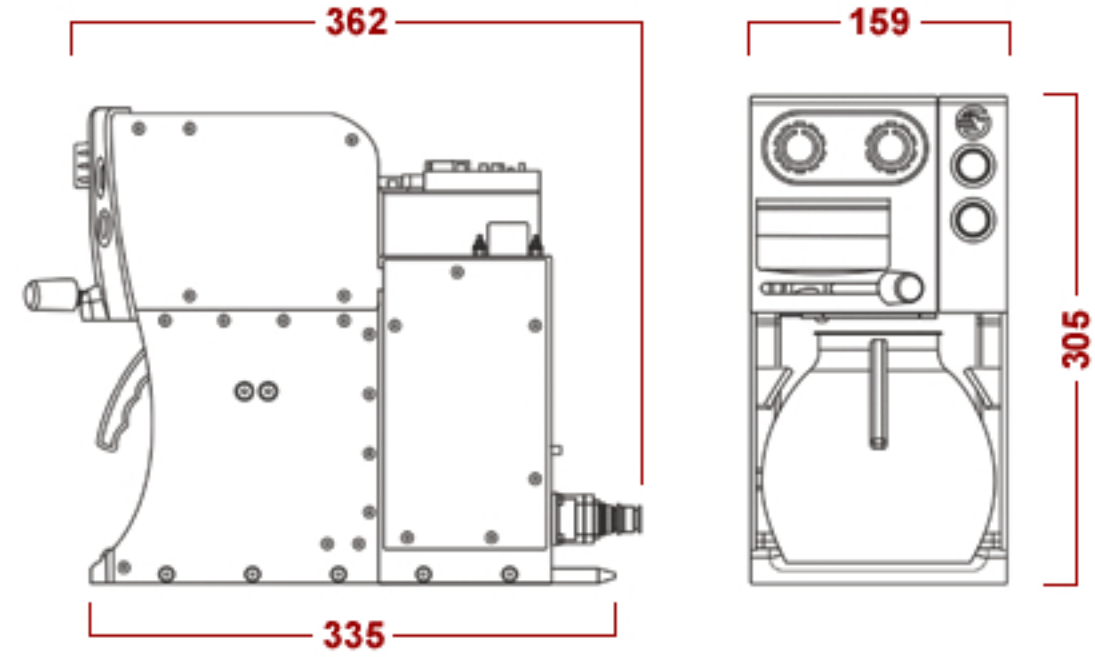
**TECHNICAL FEATURES EM Boiler Series**

Hydraulic supply	25 ÷ 40 psi
Power supply	115 V / 400 Hz three phase
Electronic systems	24 Vcc
Heating system	2750 w (8.2 A each phase)
Weight	3.9 Kg
Housing	Certified Plastic
Structure	Black Anodized Aluminium Chassis
Mounting Rail	Standard
Fixed Rail	Latch + Security screw
Time (Standard Cycle)	80 ± 10 seconds
• Heating (1st Cycle)	100 ± 5 seconds
• Cycle	5 ± 3 seconds
• Recovery time between cycles	
Security systems	E.S.C.E: Electronic Safety Control Equipment H.S.C.E: Hydraulic Safety Control Equipment F.L.P: Fly Leaks Prevent O.P: Overfill Protection
Server filling	Standard 1.5 ± 0.1 litres



**EM1  
Coffee Maker**

**DIMENSIONS...**



**TECHNICAL FEATURES EM1 Coffee Maker**

Hydraulic supply	25 ÷ 40 psi						
Power supply	115 V / 400 Hz three phase						
Electronic systems	24 Vcc						
Heating system	2750 w (8.2 A each phase)						
Weight	5.6 Kg						
Side Casing	Certified Plastic						
Structure	Black Anodized Aluminium Chassis						
Mounting Rail	Standard						
Fixed Rail	Latch + Security screw						
Time (Standard Cycle)	120 ± 10 seconds						
• Heating (1st Cycle)	110 ± 10 seconds						
• Cycle	10 ± 3 seconds						
• Recovery time between cycles							
Security systems	E.S.C.E: Electronic Safety Control Equipment H.S.C.E: Hydraulic Safety Control Equipment F.L.P: Fly Leaks Prevent O.P: Overfill Protection						
Coffee Server filling regulation	<table border="1"> <tr> <th>Minimum</th> <th>Standard</th> <th>Maximum</th> </tr> <tr> <td>0.5 litres</td> <td>1.4 litres</td> <td>1.8 litres</td> </tr> </table>	Minimum	Standard	Maximum	0.5 litres	1.4 litres	1.8 litres
Minimum	Standard	Maximum					
0.5 litres	1.4 litres	1.8 litres					